

CANADA Registration: Expires on Sept.19.2011

Addenda 1 August 2001

| | |
|---------------------------|--------------------------|
| TSSA-ONTARIO | CRN: OC6866.5 ADD1 |
| BRITISH COLUMBIA | CRN: OC6866.51 ADD1 |
| ABSA-ALBERTA | CRN: OC6866.52 ADD1 |
| SASKATCHEWAN | CSA: CRN: OC6866.56 ADD1 |
| MANITOBA | CSA: CRN: OC6866.56 ADD1 |
| QUEBEC | CSA: CRN: OC6866.56 ADD1 |
| NEW BRUNSWICK | CRN: OC6866.57 ADD1 |
| NOVA SCOTIA | CRN: OC6866.58 ADD1 |
| PRINCE EDWARD ISLAND | CRN: OC6866.59 ADD1 |
| NEWFOUNDLAND AND LABRADOR | CRN: OC6866.50 ADD1 |
| YUKON | CRN: OC6866.5Y ADD1 |
| NORTHWEST TERRITORIES | CRN: OC6866.5T ADD1 |
| NUNAVUT | CRN: OC6866.5N ADD1 |

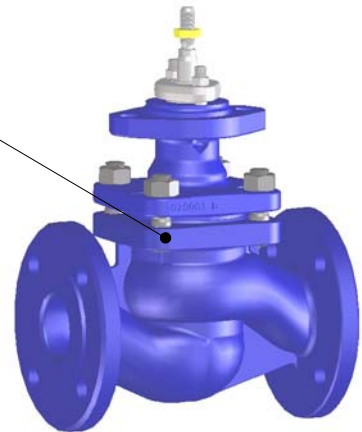
| | | | | | | | | |
|--------|-------------|--|----------|--------|----------|----------|-------------------------|--------|
| Status | freigegeben | Änderungen in Fett und Kursiv | | Bearb. | 18.02.02 | vworkent | Nr. 0060000031-2 | |
| Vers. | 1 | | | Gepr. | 25.03.02 | H.Koch | | |
| a | 5910 | 18.02.02 | vworkent | Ges. | | | | |
| Zust. | Änderung | Datum | Name | | Datum | Name | | Ers.f. |

**Manufacturers Standard
Class 300/150**

| | Add. | Figur no. | Size from - till | Class | Material |
|---------------|------|-----------|------------------|-------|----------|
| Control valve | 1 | 35.470 | 1" - 8" | 300 | SA216WCB |

Marking example:

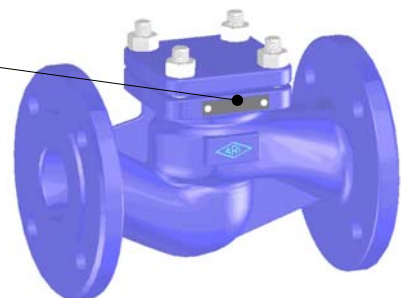
TSSA-ONTARIO
CPN:OC6866.5 ADD1 0



| | Add. | Figur no. | Size from - till | Class | Material |
|-------------|------|-----------|------------------|-------|----------|
| Check valve | 1 | 34.003 | 1/2" - 10" | 150 | SA216WCB |
| | 1 | 35.003 | 1/2" - 10" | 300 | SA216WCB |
| | 1 | 35.003 | 1/2" - 2" | 300 | SA105 |

Marking example:

TSSA-ONTARIO
CPN:OC6866.5 ADD1 0

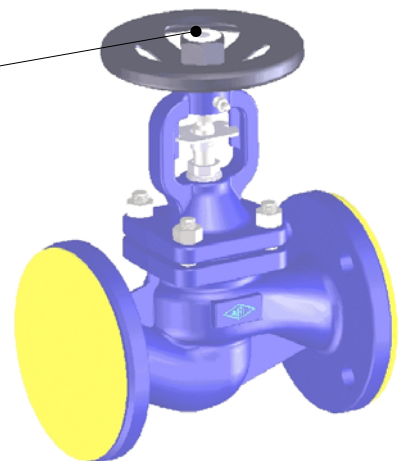


| | | | | | | | |
|--------|-------------|--|----------|--------|----------|----------|-------------------------|
| Status | freigegeben | Änderungen in Fett und Kursiv | | Bearb. | 18.02.02 | vworkent | Nr. 0060000031-2 |
| Vers. | 1 | | | Gepr. | 25.03.02 | H.Koch | |
| a | 5910 | 18.02.02 | vworkent | Ges. | | | |
| Zust. | Änderung | Datum | Name | | Datum | Name | Ers.f. Ers.d. |

Manufacturers Standard

| | Add. | Figur no. | Size from - till | PN | Material |
|---------------------------|------|-----------|------------------|------|-----------|
| Stop valve with bellow | 1 | 34.040 | 2 1/2" - 10" | PN25 | SA216WCB |
| | 1 | 35.040 | 2 1/2" - 6" | PN40 | SA216WCB |
| | 1 | 22.046 | 1/2" - 14" | PN16 | SA395 |
| | 1 | 23.046 | 1/2" - 6" | PN25 | SA395 |
| | 1 | 34.046 | 1/2" - 16" | PN25 | SA216WCB |
| | 1 | 35.046 | 1/2" - 6" | PN40 | SA216WCB |
| | 1 | 45.046 | 1/2" - 2" | PN40 | SA105 |
| | 1 | 52.046 | 1/2" - 8" | PN16 | SA351CF8M |
| | 1 | 54.046 | 1/2" - 8" | PN25 | SA351CF8M |
| | 1 | 55.046 | 1/2" - 6" | PN40 | SA351CF8M |
| | 1 | 62.046 | 1/2" - 8" | PN16 | SA351CF8M |
| | 1 | 64.046 | 1/2" - 8" | PN25 | SA351CF8M |
| | 1 | 34.066 | 8" - 12" | PN25 | SA216WCB |
| | 1 | 52.069 | 1/2" - 8" | PN16 | SA351CF8M |
| | 1 | 54.069 | 1/2" - 8" | PN25 | SA351CF8M |
| | 1 | 55.069 | 1/2" - 6" | PN40 | SA351CF8M |
| | 1 | 62.069 | 8" | PN16 | SA351CF8M |
| | 1 | 64.069 | 1/2" - 8" | PN25 | SA351CF8M |

Marking example:



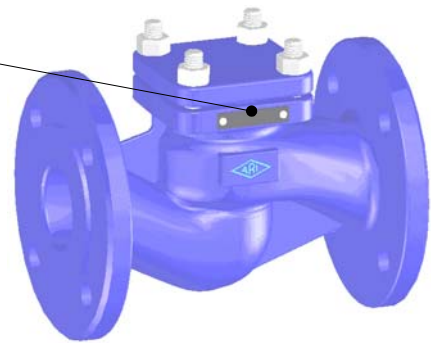
| | | | | | | | | |
|--------|-------------|--|----------|--------|----------|----------|-------------------------|--------|
| Status | freigegeben | Änderungen in Fett und Kursiv | | Bearb. | 18.02.02 | vwarkent | Nr. 0060000031-2 | |
| Vers. | 1 | | | Gepr. | 25.03.02 | H.Koch | | |
| a | 5910 | 18.02.02 | vwarkent | Ges. | | | | |
| Zust. | Änderung | Datum | Name | | Datum | Name | Ers.f. | Ers.d. |

Manufacturers Standard

| | Add. | Figur no. | Size from - till | PN | Material |
|-------------|------|-----------|------------------|------|-----------|
| Check valve | 1 | 22.003 | 1/2" - 14" | PN16 | SA395 |
| | 1 | 23.003 | 1/2" - 6" | PN25 | SA395 |
| | 1 | 34.003 | 1/2" - 18" | PN25 | SA216WCB |
| | 1 | 35.003 | 1/2" - 18" | PN40 | SA216WCB |
| | 1 | 45.003 | 1/2" - 2" | PN40 | SA105 |
| | 1 | 52.003 | 1/2" - 8" | PN16 | SA351CF8M |
| | 1 | 54.003 | 1/2" - 8" | PN25 | SA351CF8M |
| | 1 | 55.003 | 1/2" - 8" | PN40 | SA351CF8M |
| | 1 | 35.030 | 2 1/2" - 10" | PN40 | SA216WCB |
| | 1 | 45.030 | 1/2" - 2" | PN40 | SA105 |
| | 1 | 55.039 | 1/2" - 8" | PN40 | SA351CF8M |

Marking example:

TSSA-ONTARIO
CP1160C6866.5 ADD1



| | | | | | | | |
|--------|-------------|--|----------|--------|----------|----------|-------------------------|
| Status | freigegeben | Änderungen in Fett und Kursiv | | Bearb. | 18.02.02 | vworkent | Nr. 0060000031-2 |
| Vers. | 1 | | | Gepr. | 25.03.02 | H.Koch | |
| a | 5910 | 18.02.02 | vworkent | Ges. | | | |
| Zust. | Änderung | Datum | Name | | Datum | Name | Ers.f. Ers.d. |

Manufacturers Standard

| | Add. | Figur no. | Size from - till | PN | Material |
|---------------|------|-----------|------------------|------|----------|
| Control valve | 1 | 22.426 | 12" - 14" | PN16 | SA395 |
| | 1 | 35.426 | 12" - 20" | PN40 | SA216WCB |
| | 1 | 22.451 | 5" - 6" | PN16 | SA395 |
| | 1 | 22.462 | 8" - 10" | PN16 | SA395 |
| | 1 | 35.462 | 8" - 10" | PN40 | SA216WCB |
| | 1 | 22.463 | 8" - 10" | PN16 | SA395 |
| | 1 | 35.463 | 8" - 10" | PN40 | SA216WCB |
| | 1 | 35.470 | 1/2" - 6" | PN40 | SA216WCB |

Marking example:

TSSA-ONTARIO
CPN:0C6866.5-ADD1



| | | | | | | | |
|--------|-------------|--|----------|--------|----------|----------|-------------------------|
| Status | freigegeben | Änderungen in Fett und Kursiv | | Bearb. | 18.02.02 | vworkent | Nr. 0060000031-2 |
| Vers. | 1 | | | Gepr. | 25.03.02 | H.Koch | |
| a | 5910 | 18.02.02 | vworkent | Ges. | | | |
| Zust. | Änderung | Datum | Name | | Datum | Name | Ers.f. Ers.d. |

CANADA Registration: Expires on Sept.19.2011

| | |
|---------------------------|---------------------|
| TSSA-ONTARIO | CRN: OE7373.5 |
| BRITISH COLUMBIA | CRN: OE7373.51 |
| ABSA-ALBERTA | CRN: OE7373.52 |
| SASKATCHEWAN | CSA: CRN: OE7373.56 |
| MANITOBA | CSA: CRN: OE7373.56 |
| QUEBEC | CSA: CRN: OE7373.56 |
| NEW BRUNSWICK | CRN: OE7373.57 |
| NOVA SCOTIA | CRN: OE7373.58 |
| PRINCE EDWARD ISLAND | CRN: OE7373.59 |
| NEWFOUNDLAND AND LABRADOR | CRN: OE7373.50 |
| YUKON | CRN: OE7373.5Y |
| NORTHWEST TERRITORIES | CRN: OE7373.5T |
| NUNAVUT | CRN: OE7373.5N |

| | | | | | | | | |
|--------|-------------|--|----------|--------|----------|----------|-------------------------|--------|
| Status | freigegeben | Änderungen in Fett und Kursiv | | Bearb. | 18.02.02 | vworkent | Nr. 0060000031-3 | |
| Vers. | 1 | | | Gepr. | 25.03.02 | H.Koch | | |
| a | 5910 | 18.02.02 | vworkent | Ges. | | | | |
| Zust. | Änderung | Datum | Name | | Datum | Name | | Ers.f. |

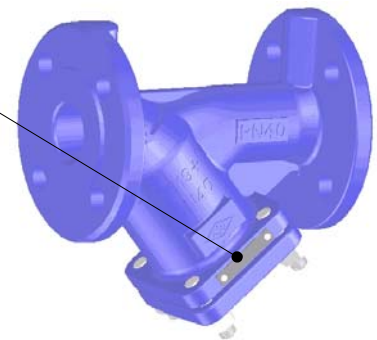
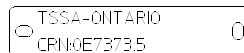
Class 300/150

| | Figur no. | Size from -till | Class | Material |
|----------|-----------|-----------------|-------|----------|
| Strainer | 34.050 | 1/2" - 10" | 150 | SA216WCB |
| | 35.050 | 1/2" - 10" | 300 | SA216WCB |
| | 35050 | 1/2" - 2" | 300 | SA105 |

Manufacturers Standard

| | Figur no. | Size from - till | PN | Material |
|----------|-----------|------------------|------|-----------|
| Strainer | 22.050 | 1/2" - 12" | PN16 | SA395 |
| | 23.050 | 1/2" - 6" | PN25 | SA395 |
| | 34.050 | 1/2" - 8" | PN25 | SA216WCB |
| | 35.050 | 1/2" - 8" | PN40 | SA216WCB |
| | 52.059 | 1/2" - 8" | PN16 | SA351CF8M |
| | 54.059 | 1/2" - 8" | PN25 | SA351CF8M |
| | 55.059 | 1/2" - 8" | PN40 | SA351CF8M |
| | 34.080 | 1/2" - 12" | PN25 | SA216WCB |
| | 35.080 | 1/2" - 8" | PN40 | SA216WCB |

Marking example:



| | | | | | | | |
|--------|-------------|--|----------|--------|----------|----------|-------------------------|
| Status | freigegeben | Änderungen in Fett und Kursiv | | Bearb. | 18.02.02 | vworkent | Nr. 0060000031-3 |
| Vers. | 1 | | | Gepr. | 25.03.02 | H.Koch | |
| a | 5910 | 18.02.02 | vworkent | Ges. | | | |
| Zust. | Änderung | Datum | Name | | Datum | Name | Ers.f. Ers.d. |

CANADA Registration: Expires on March 7. 2013

| | |
|---------------------------|---------------------|
| TSSA-ONTARIO | CRN: OG8455.5 |
| BRITISH COLUMBIA | CRN: OG8455.51 |
| ABSA-ALBERTA | CRN: OG8455.52 |
| SASKATCHEWAN | CSA: CRN: OG8455.56 |
| MANITOBA | CSA: CRN: OG8455.56 |
| QUEBEC | CSA: CRN: OG8455.56 |
| NEW BRUNSWICK | CRN: OG8455.57 |
| NOVA SCOTIA | CRN: OG8455.58 |
| PRINCE EDWARD ISLAND | CRN: OG8455.59 |
| NEWFOUNDLAND AND LABRADOR | CRN: OG8455.50 |
| YUKON | CRN: OG8455.5Y |
| NORTHWEST TERRITORIES | CRN: OG8455.5T |
| NUNAVUT | CRN: OG8455.5N |

| | | | | | | | | |
|--------|-------------|-------|------|--------|----------|----------|-------------------------|--------|
| Status | freigegeben | | | Bearb. | 18.03.03 | gebauer | Nr. 0060000031-4 | |
| Vers. | 1 | | | Gepr. | 28.05.03 | V.Ashton | | |
| | | | | Ges. | | | | |
| Zust. | Änderung | Datum | Name | | Datum | Name | Ers.f. | Ers.d. |

Class 300/150
Class 150/150

| | Add. | Figur no. | Size from - till | Class | Material |
|---------------------|-------------|------------------|-------------------------|--------------|-----------------|
| Safety valve | | 35.901 | 1" - 6" | 300/150 | SA 216 WCB |
| | | 35.902 | 1" - 6" | 300/150 | SA 216 WCB |
| | | 35.911 | 1" - 6" | 300/150 | SA 216 WCB |
| | | 35.912 | 1" - 6" | 300/150 | SA 216 WCB |
| | | 35.901 | 1" - 6" | 150/150 | SA 216 WCB |
| | | 35.902 | 1" - 6" | 150/150 | SA 216 WCB |
| | | 35.911 | 1" - 6" | 150/150 | SA 216 WCB |
| | | 35.912 | 1" - 6" | 150/150 | SA 216 WCB |
| | | 55.901 | 1" - 4" | 300/150 | SA 351 CF8M |
| | | 55.911 | 1" - 4" | 300/150 | SA 351 CF8M |
| | | 55.901 | 1" - 4" | 150/150 | SA 351 CF8M |
| | | 55.911 | 1" - 4" | 150/150 | SA 351 CF8M |

| | | | | | | | | |
|--------|-------------|-------|------|--------|----------|----------|-------------------------|--------|
| Status | freigegeben | | | Bearb. | 18.03.03 | gebauer | Nr. 0060000031-4 | |
| Vers. | 1 | | | Gepr. | 28.05.03 | V.Ashton | | |
| | | | | Ges. | | | | |
| Zust. | Änderung | Datum | Name | | Datum | Name | Ers.f. | Ers.d. |

Marking example :

⊕ TSSA-ONTARIO
CRN:0G8455.5 ⊕



| | | | | | | | | |
|--------|-------------|-------|------|--------|----------|----------|-------------------------|--------|
| Status | freigegeben | | | Bearb. | 18.03.03 | gebauer | Nr. 0060000031-4 | |
| Vers. | 1 | | | Gepr. | 28.05.03 | V.Ashton | | |
| | | | | Ges. | | | | |
| Zust. | Änderung | Datum | Name | | Datum | Name | Ers.f. | Ers.d. |

CANADA Registration: Expires on Nov.14.2010

| | |
|---------------------------|---------------------|
| TSSA-ONTARIO | CRN: OC6866.5 |
| BRITISH COLUMBIA | CRN: OC6866.51 |
| ABSA-ALBERTA | CRN: OC6866.52 |
| SASKATCHEWAN | CSA: CRN: OC6866.56 |
| MANITOBA | CSA: CRN: OC6866.56 |
| QUEBEC | CSA: CRN: OC6866.56 |
| NEW BRUNSWICK | CRN: OC6866.57 |
| NOVA SCOTIA | CRN: OC6866.58 |
| PRINCE EDWARD ISLAND | CRN: OC6866.59 |
| NEWFOUNDLAND AND LABRADOR | CRN: OC6866.50 |
| YUKON | CRN: OC6866.5Y |
| NORTHWEST TERRITORIES | CRN: OC6866.5T |

| | | | | | | | | |
|--------|-----------|--|----------|--------|----------|----------|-------------------------|--------|
| Status | in Arbeit | Änderungen in Fett und Kursiv | | Bearb. | 14.02.02 | vwarkent | Nr. 0060000031-1 | |
| Vers. | 1 | | | Gepr. | | | | |
| a | 5910 | 14.02.02 | vwarkent | Ges. | | | | |
| Zust. | Änderung | Datum | Name | | Datum | Name | Ers.f. 0060000031 | Ers.d. |

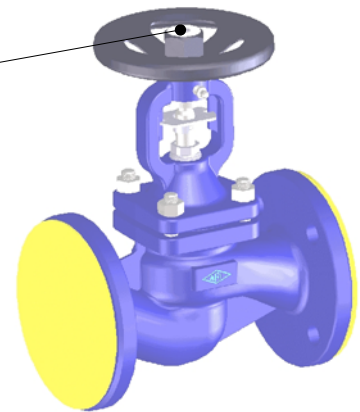
Class 300/150

| | Figur no. | Size from - till | Class | Material |
|------------------------|-----------|------------------|-------|----------|
| Stop valve with bellow | 34.031 | 1/2" - 10" | 150 | SA216WCB |
| | 35.041 | 1/2" - 10" | 300 | SA216WCB |
| | 35.049 | 1/2" - 2" | 300 | SA105 |

Manufacturers Standard

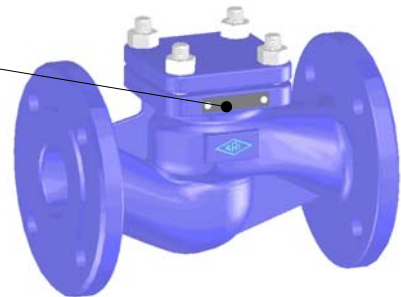
| | Figur no. | Size from - till | PN | Material |
|------------------------|-----------|------------------|------|-----------|
| Stop valve with bellow | 35.066 | 1/2" - 6" | PN40 | SA216WCB |
| | 45.040 | 1/2" - 2" | PN40 | SA105 |
| | 65.046 | 1/2" - 6" | PN40 | SA351CF8M |
| | 65.069 | 1/2" - 6" | PN40 | SA351CF8M |
| | 62.069 | 1/2" - 6" | PN16 | SA351CF8M |

Marking example:



| | Figur no. | Size from - till | PN | Material |
|-------------|-----------|------------------|------|----------|
| Check Valve | 35.063 | 1/2" - 12" | PN40 | SA216WCB |

Marking example:



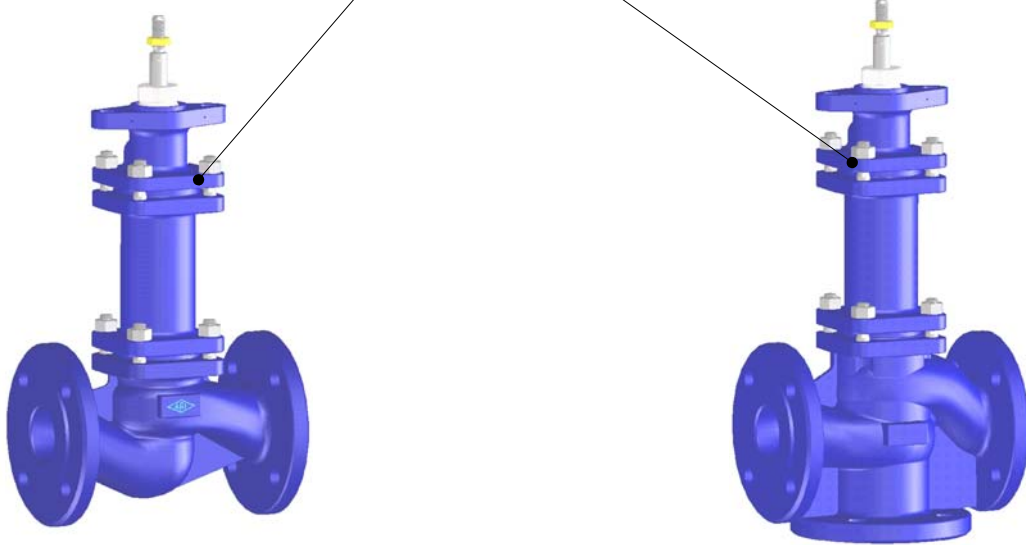
| | | | | | | | |
|--------|-----------|--|----------|--------|----------|-------------------|-------------------------|
| Status | in Arbeit | Änderungen in Fett und Kursiv | | Bearb. | 14.02.02 | vworkent | Nr. 0060000031-1 |
| Vers. | 1 | | | Gepr. | | | |
| a | 5910 | 14.02.02 | vworkent | Ges. | | | |
| Zust. | Änderung | Datum | Name | Datum | Name | Ers.f. 0060000031 | Ers.d. |

Manufacturers Standard

| | Figur no. | Size from - till | PN | Material |
|---------------|-----------|------------------|------|-----------|
| Control Valve | 23.441 | 1/2" - 4" | PN25 | SA395 |
| | 35.441 | 1/2" - 4" | PN40 | SA216WCB |
| | 55.441 | 1/2" - 4" | PN40 | SA351CF8M |
| | 23.471 | 1/2" - 6" | PN25 | SA395 |
| | 35.471 | 1/2" - 6" | PN40 | SA216WCB |
| | 23.451 | 1/2" - 4" | PN25 | SA395 |
| | 35.451 | 1/2" - 6" | PN40 | SA216WCB |
| | 55.451 | 1/2" - 4" | PN40 | SA351CF8M |

Marking example:

TSSA-ONTARIO
CPI140C6866.5



| | | | | | | | | |
|--------|-----------|--|----------|--------|----------|----------|-------------------------|--------|
| Status | in Arbeit | Änderungen in Fett und Kursiv | | Bearb. | 14.02.02 | vworkent | Nr. 0060000031-1 | |
| Vers. | 1 | | | Gepr. | | | | |
| a | 5910 | 14.02.02 | vworkent | Ges. | | | | |
| Zust. | Änderung | Datum | Name | | Datum | Name | Ers.f. 0060000031 | Ers.d. |